



Millennia-Pumped Tsunami Frequency Doubler Specifications

Output Characteristics	Model 3980-1 Picosecond Frequency Doubler Performance ¹		
	355 nm	395 nm	450 nm
Average Power ² with Millennia Xs pump with Millennia Vllls pump with Millennia Vs pump	40 mW 30 mW 15 mW	200 mW 150 mW 55 mW	100 mW 80 mW 30 mW
Pulse Width ^{2,3}	< 2 ps	< 2 ps	< 2 ps
Tuning Range ⁴	345-420 nm	360-450 nm	420-540 nm
Repetition Rate ⁵	82 MHz		
Beam Diameter at 1/e ² points	< 2 mm		
Beam Divergence, full angle	< 1.5 mrad		

Output Characteristics	Model 3980-4 Femtosecond Frequency Doubler Performance ¹		
	355 nm	395 nm	450 nm
Average Power ² with Millennia Xs pump with Millennia Vllls pump with Millennia Vs pump	40 mW 30 mW 15 mW	200 mW 150 mW 65 mW	100 mW 80 mW 30 mW
Pulse Width ^{2,3}	< 200 fs	< 200 fs	< 250 fs
Tuning Range ⁴	345-420 nm	360-450 nm	420-540 nm
Repetition Rate ⁵	82 MHz		
Beam Diameter at 1/e ² points	< 2 mm		
Beam Divergence, full angle	< 1.5 mrad		

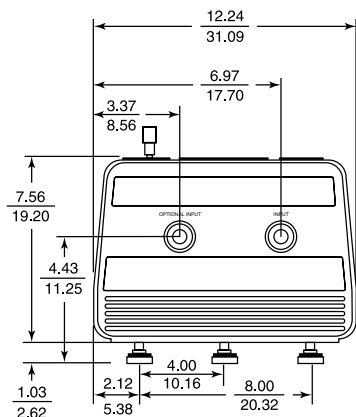
1. Due to our continuous product improvement program, specifications may change without notice. Specifications only apply when the model 3980 is used in conjunction with a Tsunami pumped by a Spectra-Physics Millennia Vs, Vllls or Xs solid state laser.

2. Specifications apply to operation at the wavelength noted.

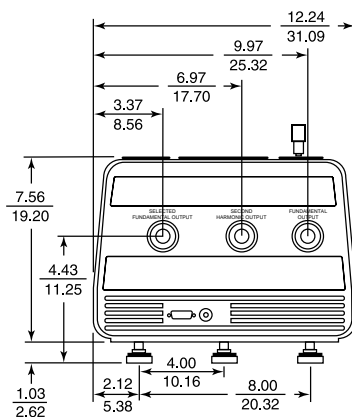
3. Based upon the pulse width of the fundamental.

4. Based upon the tuning range of the fundamental.

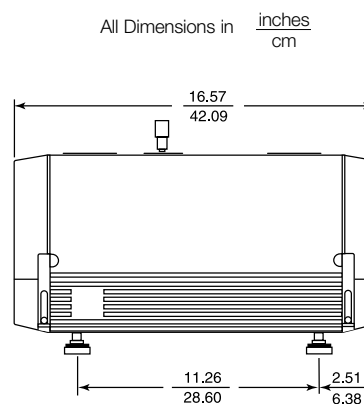
5. Operation is specified at a nominal repetition rate of 82 MHz.



Model 3980 (Input End)

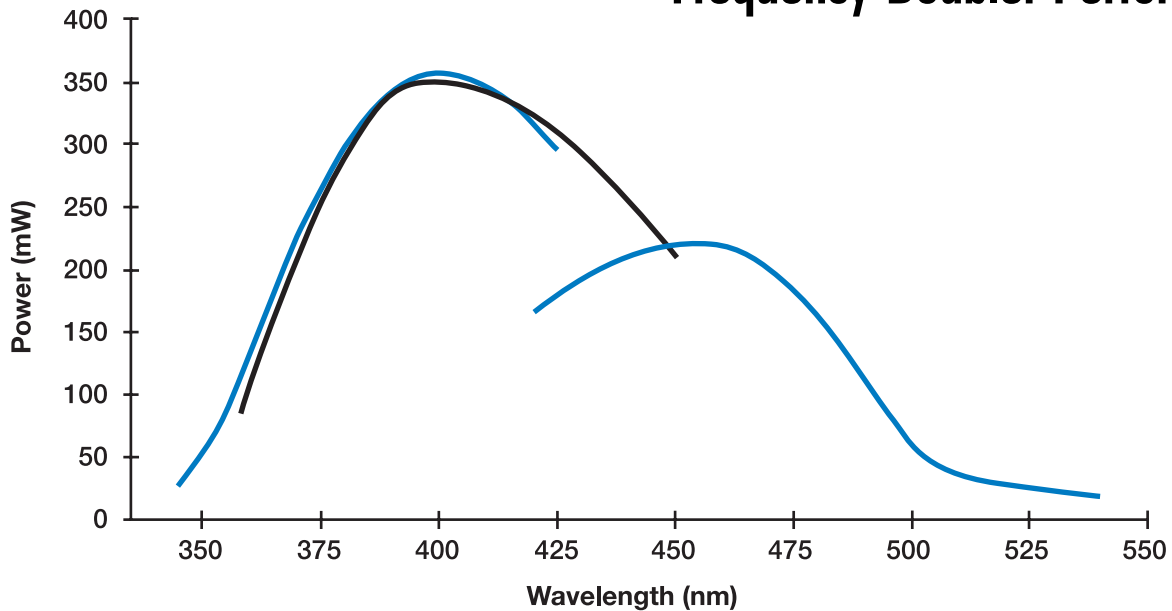


Model 3980 (Output End)

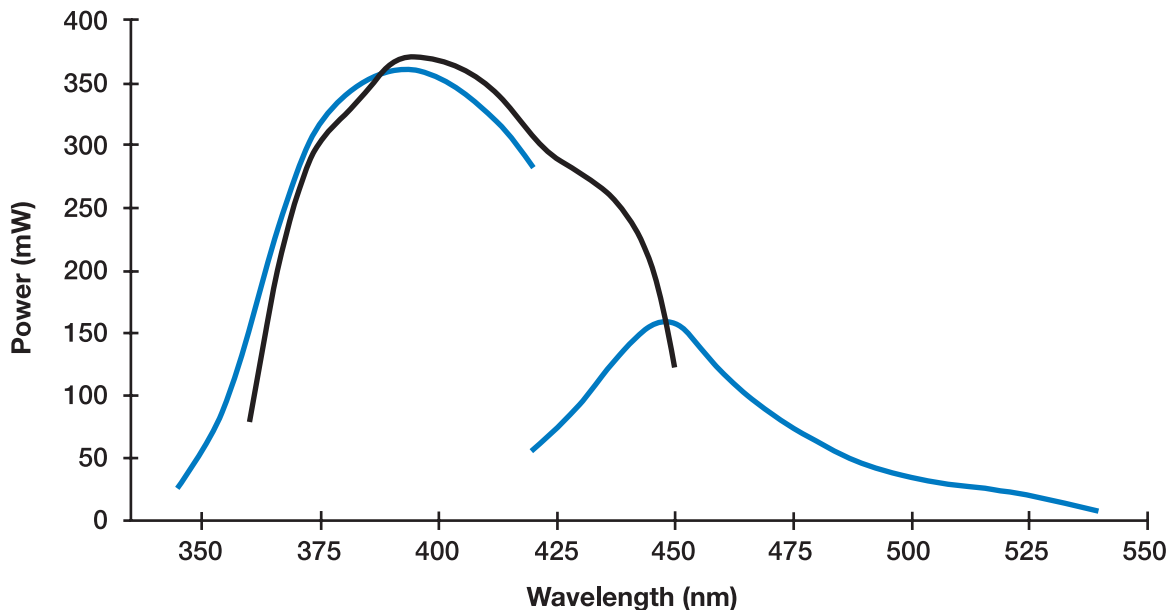


Model 3980 (Side View)

Millennia-Pumped Tsunami Frequency Doubler Performance



Frequency-doubled picosecond Tsunami[®] tuning curves with 10 W TEM₀₀ pump power from a Millennia Xs.



Frequency-doubled femtosecond Tsunami tuning curves with 10 W TEM₀₀ pump power from a Millennia Xs.



The Solid State Laser Company™



1335 Terra Bella Avenue
Mountain View, CA 94043
1-800-SPL-LASER (1-800-775-5273)
(650) 961-2550
Fax: (650) 964-3584
e-mail: sales@splasers.com
http://www.spectra-physics.com

Australia: (08) 84 43-8668
Benelux: +31 (40) 265 99 59
China: (010) 62562934
France: +33 (1) 69 18 63 10
Germany: +49 (6151) 708-0
Hong Kong: (02) 523-5688
India: (080) 6651 465

Israel: (03) 635 6650
Italy: (02) 57 46 51
Japan: Tokyo (03) 3794-5511
Osaka: (06) 6941-7331
Netherlands: (040) 2659959
S. Korea: (02) 587-8727
Spain: (91) 3775006

Sweden: (08) 550 10403
Taiwan: (02) 7678890
UK: +44 (14) 42 25 81 00
Other European
Countries: +49 6151-708-219
Other Pacific
Countries: +1 650 966-5628
+1 650 966-5693

© 2001 Spectra-Physics
Printed in the U.S.A. 9/01
000B-0146S