

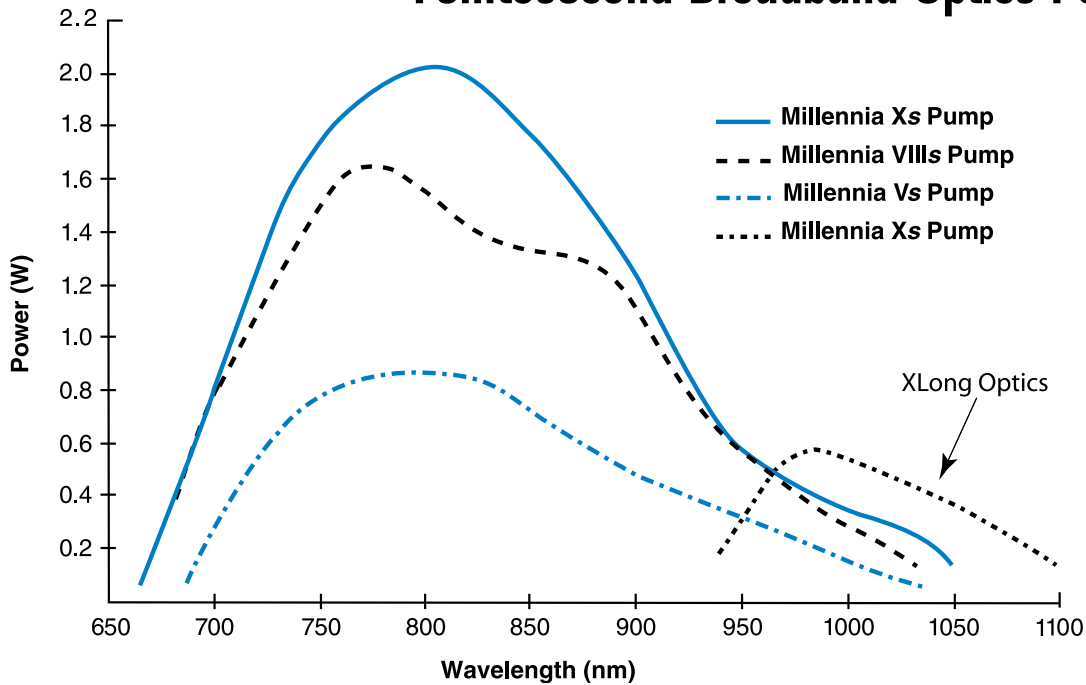


Millennia-Pumped Tsunami Femtosecond Broadband Optics Specifications

Output Characteristics	Tsunami® Femtosecond Broadband™ Optics Performance ¹				
	720 nm	790 nm	850 nm	950 nm	1050 nm ²
Average Power ³ Millennia Xs Millennia VIIIs Millennia Vs	700 mW 500 mW 300 mW	1.4 W 1.1 W 700 mW	1.2 W 900 mW 500 mW	400 mW 250 mW 100 mW	250 mW N/A N/A
Peak Power ³ Millennia Xs Millennia VIIIs Millennia Vs	> 65 kW > 47 kW > 28 kW	> 170 kW > 134 kW > 85 kW	> 145 kW > 109 kW > 61 kW	> 48 kW > 30 kW > 12 kW	> 24 kW N/A N/A
Pulse Width ^{3,4}	< 130 fs	< 100 fs	< 100 fs	< 100 fs	< 130 fs
Tuning Range Millennia Xs Millennia VIIIs Millennia Vs	700-1000 nm 700-1000 nm 710- 980 nm				970–1080 nm N/A N/A
Repetition Rate ⁵	80 MHz				
Noise ⁶	< 0.2%				
Stability ⁷	< 5%				
Spatial Mode	TEM ₀₀				
Beam Diameter @ 1/e ² points	< 2 mm				
Beam Divergence, full angle	< 1 mrad				
Polarization	> 500:1 vertical				

1. Due to our continuous product improvement program, specifications may change without notice. Specifications only apply when the Tsunami is pumped by a Spectra-Physics Millennia Vs, VIIIs or Xs solid state laser and the entire Tsunami environmental package is installed.
2. Specifications apply to operation using the optional XLong optics set.
3. Specifications apply to operation at the wavelength noted.
4. A sech² pulse shape (0.65 deconvolution factor) is used to determine the pulse width as measured with a Spectra-Physics model 409 autocorrelator.
5. Laser operation is specified at a nominal repetition rate of 80 MHz.
6. Specification represents rms noise measured in a 10Hz to 2 MHz bandwidth.
7. Percent power drift in any 2-hour period with less than +/- 1°C temperature change after a 1-hour warm-up.

Millennia-Pumped Tsunami Femtosecond Broadband Optics Performance

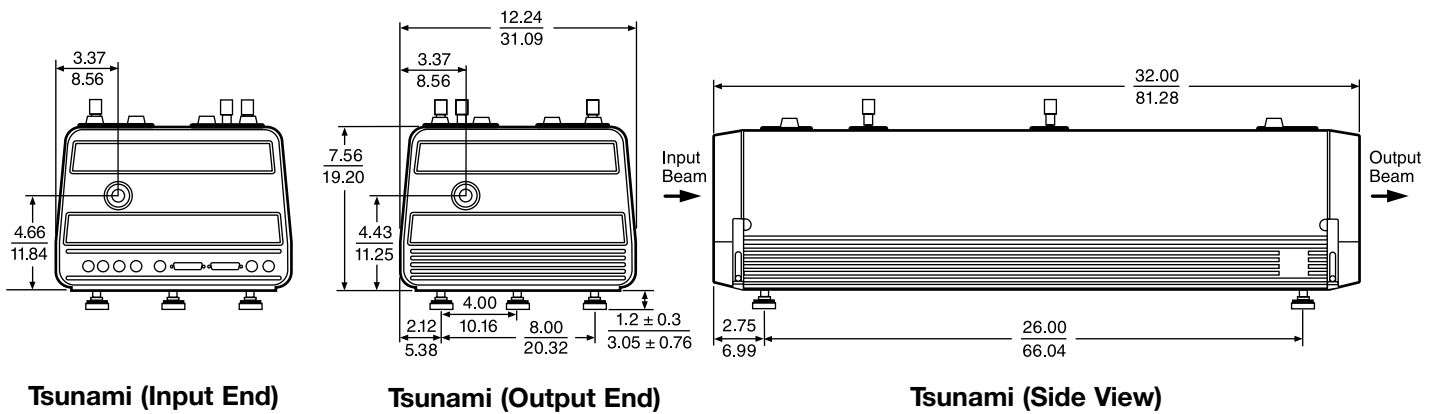


Tsunami femtosecond Broadband optics tuning curves with pump powers of 5, 8 and 10 W TEM₀₀ from a Millennia Vs, Vlls and Xs respectively. Tuning curve for optional XLong Optics Set is also shown.

Warranty

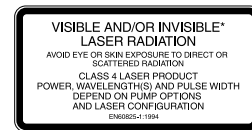
Tsunami is protected by a one-year warranty. All mechanical, electronic, and optical parts and assemblies are unconditionally warranted to be free of defects in workmanship and material for the first year following delivery. This warranty is in lieu of all other warranties, expressed or implied, and does not cover incidental loss.

To arrange an appointment to discuss how Tsunami can enhance your picosecond research, contact your Spectra-Physics representative. In the United States, call toll-free 1 (800) SPL-LASER.



The Solid State Laser Company™

All Dimensions in $\frac{\text{inches}}{\text{cm}}$



1335 Terra Bella Avenue
 Mountain View, CA 94043
 1-800-SPL-LASER (1-800-775-5273)
 (650) 961-2550
 Fax: (650) 964-3584
 e-mail: sales@splasers.com
 http://www.spectra-physics.com

Australia: (08) 84 43-8668
 Benelux: +31 (40) 265 99 59
 China: (010) 62562934
 France: +33 (1) 69 18 63 10
 Germany: +49 (6151) 708-0
 Hong Kong: (02) 523-5688
 India: (080) 6651 465

Israel: (03) 635 6650
 Italy: (02) 57 46 51
 Japan: Tokyo (03) 3794-5511
 Osaka: (06) 6941-7331
 Netherlands: (040) 2659959
 S. Korea: (02) 587-8727
 Spain: (91) 3775006

Sweden: (08) 550 10403
 Taiwan: (02) 7678890
 UK: +44 (14) 42 25 81 00
 Other European
 Countries: +49 6151-708-219
 Other Pacific
 Countries: +1 650 966-5628
 +1 650 966-5693

© 2001 Spectra-Physics
 Printed in the U.S.A. 7/01
 000B-00170S